

COMPOSITE RUBBER FENDER

DIMENSION SPECIFICATIONS

Superior Guarantee, Supreme Guard

NANHAI is the international leading marine fender manufacturer with 20 years in fender production. NANHAI Rubber Fender design and manufacture according to PIANC 2002.



Composite Rubber Fender (CF-A, CF-B)

Dimension Specifications



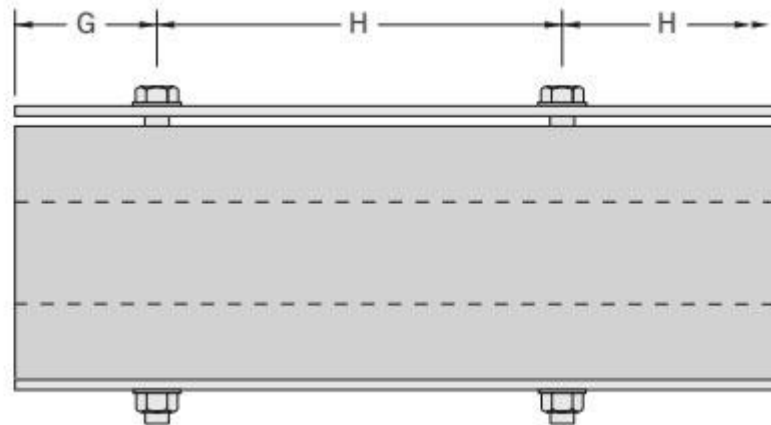
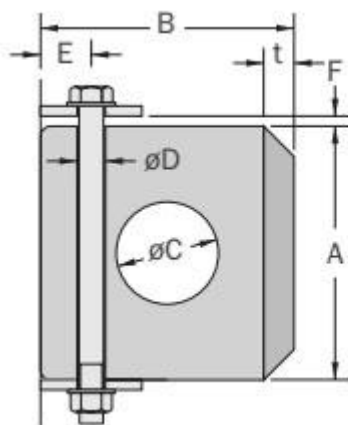
CF-A



CF-B

A (mm)	B (mm)	ΦC (mm)	t (mm)	ΦD (mm)	E (mm)	F (mm)	G (mm)	H (mm)	Bolt Size
100	100	30	20	15	25	10	90-130	200-300	M12
200	200	100	25	25	45	20	130-180	300-400	M20
250	250	100	30	30	50	25	140-200	350-450	M24
300	300	125	30	30	60	30	140-200	350-450	M24

Other dimension can be customized.



SHANDONG NANHAI AIRBAG ENGINEERING CO.,LTD.

NO.5608 Shuangshan North Road,Zhangqiu District,Jinan City, Shandong,China.

www.nhfoamfender.com | + 86 531-88723323 | info@airbag.cc

COMPOSITE RUBBER FENDER

DIMENSION SPECIFICATIONS

Superior Guarantee, Supreme Guard

NANHAI is the international leading marine fender manufacturer with 20 years in fender production. NANHAI Rubber Fender design and manufacture according to PIANC 2002.



Composite Rubber Fender (CF-C, CF-D)

Dimension Specifications



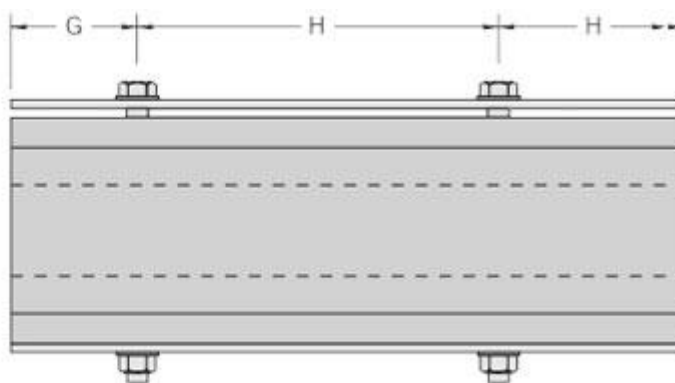
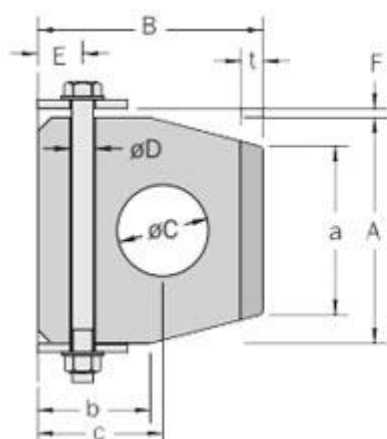
CF-C



CF-D

A (mm)	B (mm)	ΦC (mm)	a (mm)	b (mm)	c (mm)	t (mm)	ΦD (mm)	E (mm)	F (mm)	G (mm)	H (mm)	Bolt Size
80	80	42	60	40	44	10	15	25	6	90-130	200-300	M12
100	100	45	74	50	56	10	15	25	8	90-160	200-300	M12
120	120	62	88	60	67	12	20	30	10	110-150	250-350	M16
150	150	73	110	75	83	15	20	30	12	110-150	250-350	M16

Other dimension can be customized.



SHANDONG NANHAI AIRBAG ENGINEERING CO.,LTD.

NO.5608 Shuangshan North Road,Zhangqiu District,Jinan City, Shandong,China.

www.nhfoamfender.com | + 86 531-88723323 | info@airbag.cc